

### 'Sure-Lock' ferrite squib connector

Ø11mm VDA-AK1/BNA interface, right angled, Sub 5

Part-no.: CA 280A XXXX XXXX

**Mating design:**

- serviceable, single reversed locking leg
- one step mating
- Integral CPA

**Terminal system:**

- one piece design
- selective gold plated
- two contact points

**Termination technology:**

- crimp or crimp-welded wire

**General:**

- scoop improved nozzle
- 10MHz – 1.5 GHz RFI/EMI protection
- supplied with different cable lengths
- single wire
- twisted wire
- jacketed cable



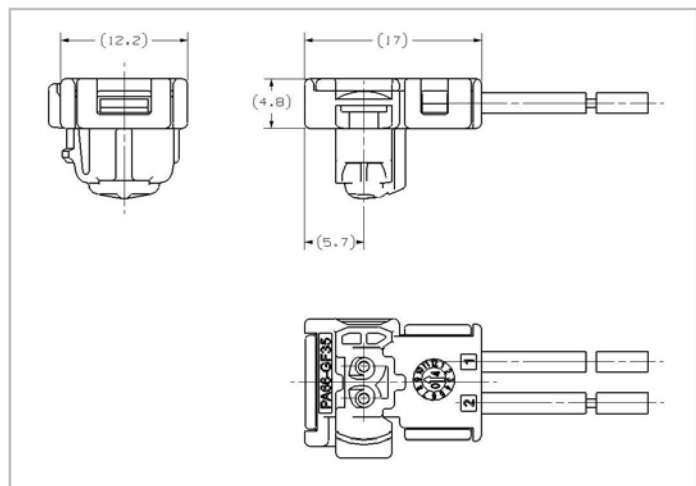
**Construction:**

- housing material: PA
- contact material: CuSn
- accepted wire range: AWG 18 – AWG 22
- RFI/EMI protection: multi material ferrite

**Performance characteristics:**

- pull out force: > 160N
- insertion force: < 75N
- temperature range: -40°C to +90°C
- dielectric resistance: 1000V / DC

**Dimensional characteristics:**



**Connector interface:**

- Ø11mm VDA-AK1
- Ø11mm BNA
- code A (blue, purple)
- B (green)
- C (orange)