

### 'Standard' ferrite squib connector

#### Ø11mm VDA-AK1/BNA interface, right angled version

Part-no.: CA 252 92 XXXX

#### Mating design:

- serviceable, locking legs
- CPA (connector positioning assurance)
- two step mating

#### Terminal system:

- CPT (cage protected terminal),
- one piece design
- selective gold plated
- minimum two contact points

#### Termination technology:

- wire crimped

#### General:

- supplied with different cable lengths
- single wire
- twisted wire
- jacketed cable



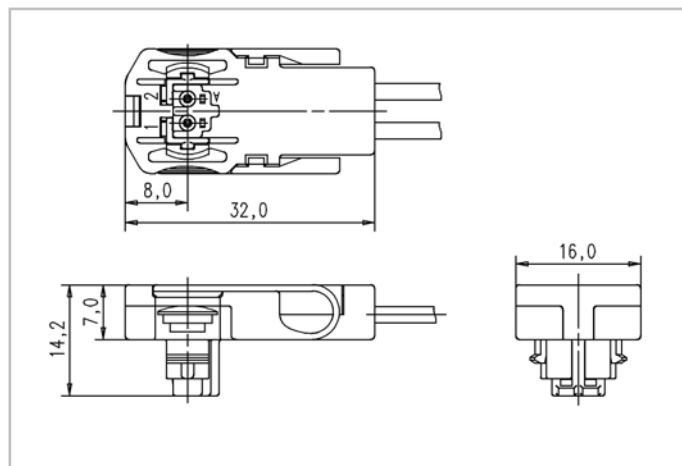
#### Construction:

- housing material: PBT
- contact material: CuSn
- accepted wire range: 0,35 - 0,8mm<sup>2</sup>  
AWG 18, AWG 20
- RFI/EMI protection: mono block ferrite

#### Performance characteristics:

- pull out force: > 160N
- insertion force: < 60N
- temperature range: -40°C to +90°C
- dielectric resistance: 1000V / DC

#### Dimensional characteristics:



#### Connector interface:

- Ø11mm VDA-AK1
- Ø11mm BNA
- code A (blue, purple)  
B (green)  
C (orange)