

### HVEC 2 poles 18mm connector (180°)

High voltage, high current, 35mm<sup>2</sup>~70mm<sup>2</sup> wire, metal shielded, HVIL

#### Part-No.:

- Plug:
  - HVEC2P18FSX70W ( 70mm<sup>2</sup>: 17.4~18.2)
  - HVEC2P18FSX50W ( 50mm<sup>2</sup>: 15.2~15.8)
  - HVEC2P18FSX35W ( 35mm<sup>2</sup>: 13.8~14.4)
- Socket:
  - HVEC2P18MVX01 (Type1)
  - "X" indicates code 1/2/3/4

#### Mating design:

- Serviceable locking leg
- Locking assurance by CPA
- Operation with handle

#### Terminal system:

- W=18mm, T=3mm, silver plated
- Wire size 35/50/70mm<sup>2</sup>, shielding
- HVIL contact system

#### Terminal technology:

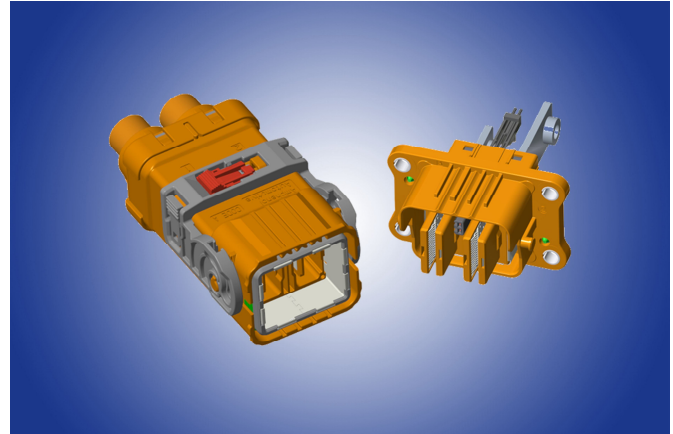
- Ultrasonic welding for power termination
- Crimping for HVIL termination

#### General:

- IP68, IP6K9K (mated)
- IPXXB (unmated)
- HVIL
- 360° shielding
- Coding: A/B/C/D

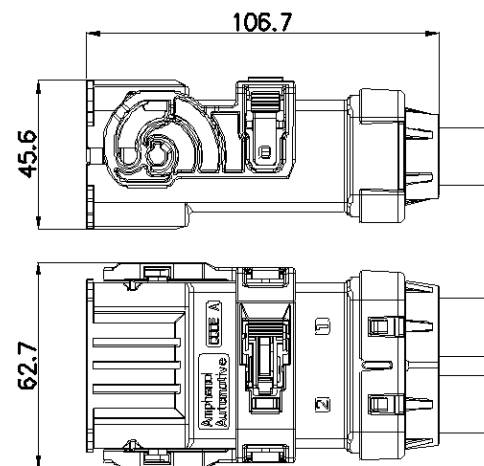
#### Standard:

- LV215

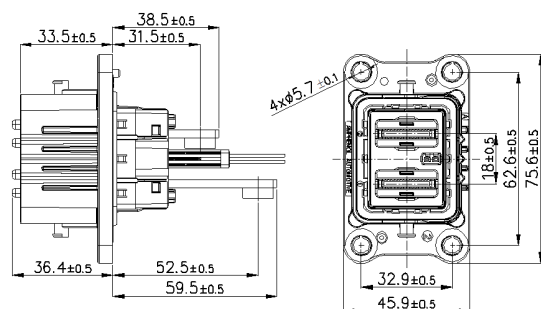


#### Dimensional characteristics:

##### Plug:



##### Socket (type1):



#### Performance characteristics:

- Unmating force : ≤ 100N
- Temperature range : -40°C to +140°C
- Voltage : 1000V DC
- Mating cycles : 50 min.
- Current capacity : (@85°C)
  - 70mm<sup>2</sup>=300A(Cu), 250A(Al)
  - 50mm<sup>2</sup>=250A(Cu), 200A(Al)
  - 35mm<sup>2</sup>=200A(Cu), 150A(Al)

#### Construction:

- Housing material : PA66-GF (UL94-V0)
- Terminal material : Copper alloy
- RFI/EMI protection : Metal shielding